

# Challenger® 2 AL5800

IP66



## Benefits

- The asymmetric reflector in the Challenger® 2 makes it ideally suited to lighting medium and larger stadia from the side – typically from the roof
- This floodlight bears the quality hallmarks of the Challenger® floodlight range

## Technical features

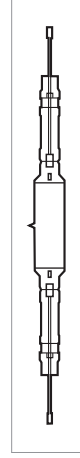
- Body made of high pressure die-cast aluminium, coated in light grey polyester powder (RAL7035)
- Reflector system made from high-purity, polished and anodised aluminium. Incorporates an internal baffle to improve efficiency and reduce glare
- Toughened front glass, secured by cast aluminium front frame
- Galvanised steel stirrup, with additional elevation locking screws
- Electrical connection box (IP66) housing an ignitor is located on the side of the stirrup and fitted with two Gore™ membrane breathers
- Designed to accept double-ended, short-arc 2kW or 1kW metal halide lamps
- To ensure the beam can be accurately aligned, there is dual provision for a gun sight aiming device on the side of the floodlight body (AL5931)
- Rear cover gives easy access for re-lamping, with a stainless steel catch for positive closure.

Beam type	Lamp: Manufacturer product code	Lamp manufacturer	Lamp: Abacus product code	Lampholder type
Narrow	2kW: HQI-TS 2000W/N/L	Osram	LPW2000M/LA	K12s-7
Medium	2kW: HQI-TS 2000W/N/L	Osram	LPW2000M/LA	K12s-7
Wide	2kW: HQI-TS 2000W/N/L	Osram	LPW2000M/LA	K12s-7
Narrow	2kW: MHN-LA2KW/842 & 956	Philips	LPP2000MHN-TD (842) & LPP2000D (956)	XWH-LNP
Medium	2kW: MHN-LA2KW/842 & 956	Philips	LPP2000MHN-TD (842) & LPP2000D (956)	XWH-LNP
Wide	2kW: MHN-LA2KW/842 & 956	Philips	LPP2000MHN-TD (842) & LPP2000D (956)	XWH-LNP
Narrow	1kW: MHN-LA1KW/842 & 956	Philips	LPP1000MHN-TD (842) & LPP1000MD-TD (956)	XWH-LNP
Medium	1kW: MHN-LA1KW/842 & 956	Philips	LPP1000MHN-TD (842) & LPP1000MD-TD (956)	XWH-LNP
Wide	1kW: MHN-LA1KW/842 & 956	Philips	LPP1000MHN-TD (842) & LPP1000MD-TD (956)	XWH-LNP
Narrow	2kW: MH-TS2000W/LK12/4K	Venture	LPV2000M/LA	K12s-7
Medium	2kW: MH-TS2000W/LK12/4K	Venture	LPV2000M/LA	K12s-7
Wide	2kW: MH-TS2000W/LK12/4K	Venture	LPV2000M/LA	K12s-7

## Lamp references

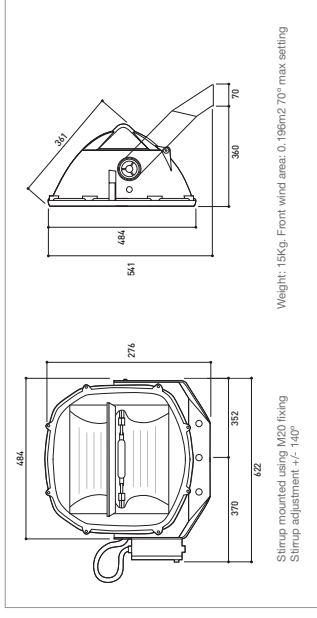


HQI-TS / MH-TS



MHN-LA

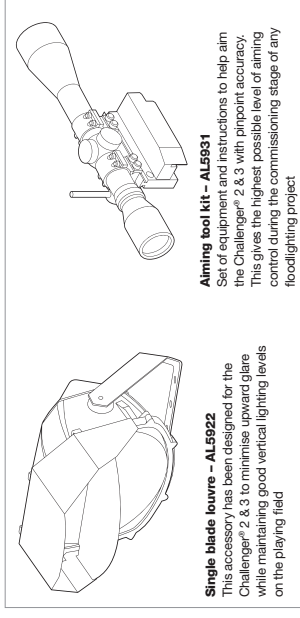
## Dimensions (mm)



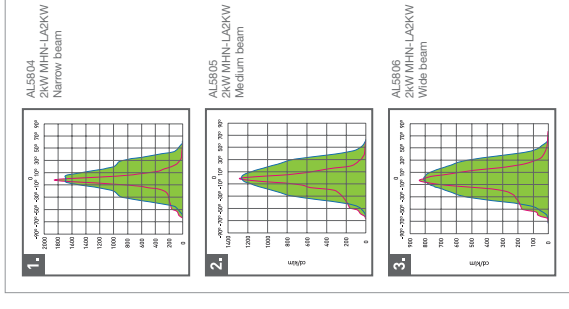
## Maintenance



## Accessories



## Key features



Colabrine Stadium, Norway