



ENLACE A3, MADRID, SPAIN



Application

Sports lighting and extensive areas such as stadiums, recreational areas, airport aprons, racecourses, open-air car parks, etc. High-roofed large premises such as sports pavilions. Architectural lighting of buildings and monuments.

Technical specification

Multiple circular beam optics are available, from very narrow to very wide, thus permitting optimized illumination designs with minimal light dispersion. Luminaire & ballast are supplied and tested by GE, ensuring the best possible product quality. GE lamps can be ordered separately.

Structure and material

Compact design, with ballast and lamp holder fixture in one single diecast aluminium housing, electrostatically sprayed with a RAL 7035 grey polyester powder paint finish, following anti-corrosion priming, oven cured at 180°C.

Electrical and gear compartment

230V integrated ballast in high power factor. IP54. Optional remote ballast fitting. The control gear is accessible from the front of the floodlight by removing the housing's aluminium cover.

PW allows HPS tubular lamps up to 1000W and Metal Halide up to 1650W. Insulation class I.

Optics

Optical assembly degree of protection IP55, comprising:

- Filtered optical system, comprising a circular aluminium reflector, with five different designs for distinct beam cut-offs.
- A flat tempered glass lens, attached to the reflector a hinged metallic rim with stainless steel latches, for tool-less access.
- Silicone gasket between glass lens and reflector and between the reflector and the lamp holder fixture.

Maintenance

Tool-less access to the lamp, from the front of the floodlight.

Installation

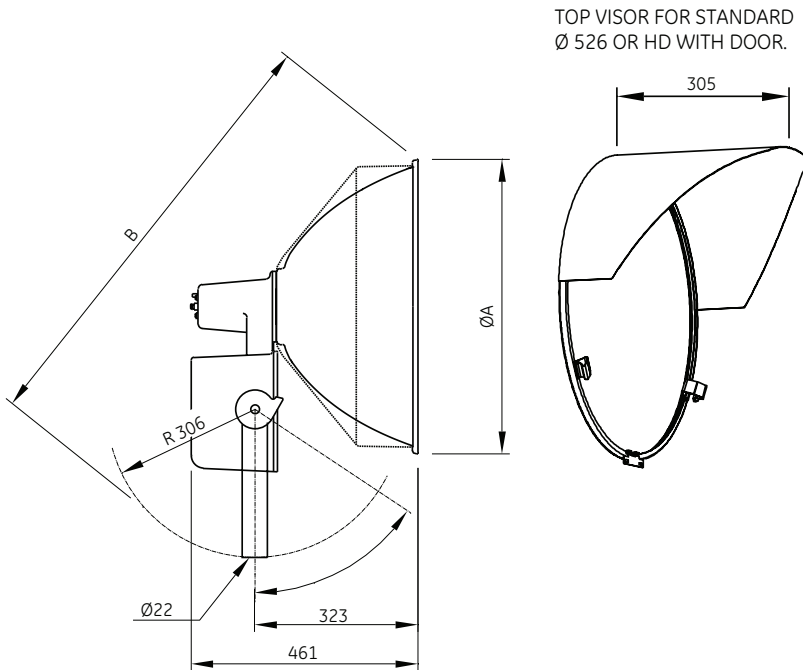
Aiming via folding sight, built into the ballast compartment.

Mounting by way of heavy gauge steel bracket with aiming degree indicator and locking plate system for securing the tilt angle.

Accessories/options

- The floodlight can be supplied with a longer bracket for pendant mounting.
- The floodlight may incorporate a fuse. FUS option.
- The floodlight can incorporate an outer housing for the reflector, manufactured in heavy-duty spun aluminium. HD option.

Dimensions (mm)



A (mm)	B (mm)
584	872
526	795

Housing

CEI 34.21 / EN 60598-1, IEC 60598 – 230V 50Hz – Class I – IP54 – IK08
Luminaire supplied without lamp

Description	Lamp	Weight (kg)	Product code
PW HPS 1000W HOUSING	LU1000/110/T/40	20.70	519578
PW MH1000W HOUSING	MVR1000/U/40	16.20	519579
PW MH1650W HOUSING	MS1650/HOR/SPORT 60	17.10	519580

Optics

CEI 34.21 / EN 60598-1, IEC 60598 – 230V 50Hz – Class I – IP55
Luminaire supplied without lamp

Description	Weight (kg)	Product code
PW-20 B OPTICAL ASSEMBLY	3.50	519583
PW-20 C OPTICAL ASSEMBLY	3.50	519584
PW-20 D OPTICAL ASSEMBLY	3.50	519585
PW-20 E OPTICAL ASSEMBLY	3.50	519586
PW-22 A OPTICAL ASSEMBLY	3.50	519582
PW-22 A2 OPTICAL ASSEMBLY	3.50	519581

Photometric data

PW/2x2/MH1650
POS. PORTA. FIJA

