



Application

Enclosed luminaire, suitable for damp environments, for discharge lamps up to 400W. The acrylic diffuser has a technologically innovative design which, thanks to the combined reflection and refraction prisms, guarantees a high level of efficiency and extraordinary illumination of vertical surfaces, with great visual comfort.

Particularly suitable for sport, commercial and industrial applications, including environments with a high level of dust and fumes; mounting heights from 4 to 10 metres.

Technical specification

Ballast housing

Ballast housing for discharge lamps up to 400W max. Die-cast aluminium ballast housing, with grey polyester powder paint finish applied electrostatically and cured at 180°C over an anti-corrosion layer. Easy installation using a 3/4" NPSC threaded hub, located in the housing and resistant to vibrations.

Optical assembly

Aluminium spun reflector acting as a support for the acrylic reflector/refractor. Technologically innovative acrylic prismatic diffuser, injection moulded and UV stabilized, which can be removed without the need of tools to facilitate replacement of the lamp and is joined to the top aluminium reflector by hinge and latches.

EPDM gasket located between the acrylic diffuser and the top aluminium reflector, to guarantee the hermeticity of the optical assembly. Porcelain E40 lamp socket. Internal borosilicate glass refractor with total reflection prisms.

Installation

Easy installation using a 3/4" NPSC threaded hub, located in the housing and resistant to vibration.

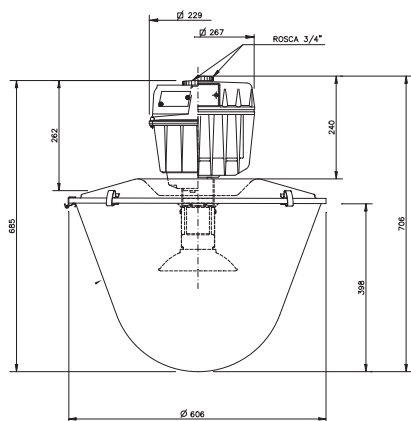
Notes

For electronic emergency devices, fuses, suspension accessories (i.e., HOOKM), etc., please see page 120. They must be ordered separately.

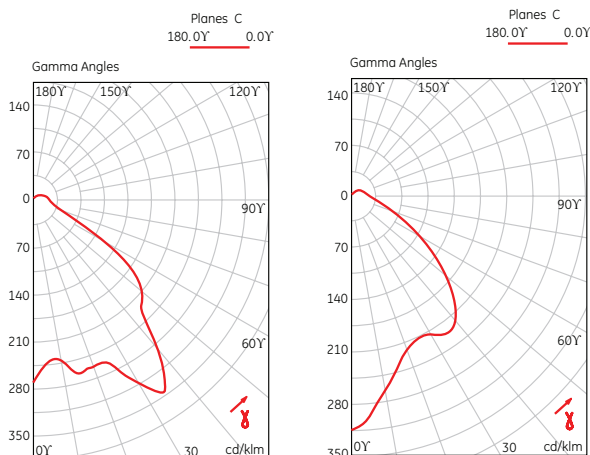
Lamp

Luminaire supplied without lamp.

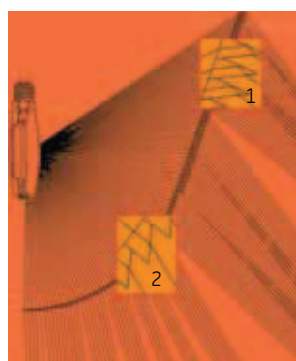
Dimensions (mm)



Photometric data



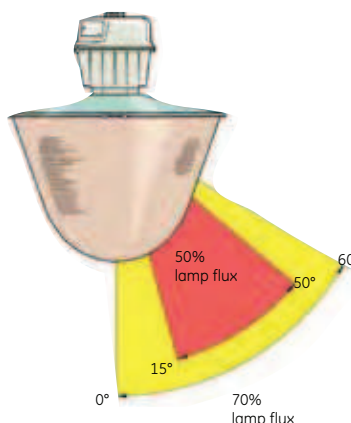
PERFORMING PRISM DESIGN



Optical performance
Acrylic diffuser with unique design which, thanks to the combination of reflecting/refracting prisms together with only refracting prisms, achieves a precise photometric control.

Prism design

1. Upper area of the diffuser with total internal reflection on the top side of prisms and refraction on the lower side.
2. Bottom area of the diffuser with refracting prisms only.



Results

- Over 90% efficiency.
- Utilisation factors superior to those with traditional design thanks to concentration of 50% of the lamp total flux between 15° and 50° vertical, and of 70% between 0° and 60°.
- Outstanding illumination of vertical surfaces, as 50% of total flux from the lamp is directed between 15° and 50° vertical.
- Reduced direct luminance, to avoid any discomfort, thanks to restriction of the flux above 60°.
- Reduced contrast between luminaire and surrounding environment, thanks to a small fraction of the light directed towards the upper hemisphere.

Gear box

CEI 34.21 / EN 60598-1, IEC 60 – Class I – IP52
230V/50Hz

Description	Lamp Type	Weight (kg)	Pack qty	Product code
HPS Lamp				
GEAR BOX UG-VSB AP5 HPS 400W	LU400/T/40	8.55	1	519654
GEAR BOX UG-VSB AG5 HPS 600W	LU600/XO/T/40	12.10	1	519660
GEAR BX UG-VSB AG5 HPS 1000W	LU1000/110/T/40	15.90	1	519661
Metal Halide CMH Lamp				
GEAR BXUG-VSB AP5 CMH250 T U	CMH250/TT/UVC/U/830/E40	8.55	1	519655
GEAR BXUG-VSB AP5 CMH400 T VBU	CMH400/TT/UVC/VBU/830/E40	9.90	1	519657

Without lamp

Optical assembly

CEI 34.21 / EN 60598-1, IEC 60 – Class I – IP52
230V/50Hz

Description	Weight (kg)	Pack qty	Product code
VSB OPTICAL ASSEMBLY	5.40	2	519665

Accessories

Description	Weight (kg)	Pack qty	Product code
Hooks 3/4"			
HOOKM standard *	0.13	75	519701
HOOKM IP65 *	0.14	75	519702
Mounting receptacle A2 – For fittings without ballast housing or with remote ballast housing			
Mounting receptacle A2*	0.27	12	519461
Safety chain			
SFC-0 - for optical component, L=0.3 m	TBD	TBD	TBD
SFC3-B - for ballast component, L=0.9 m**	TBD	TBD	TBD
Fuse kits			
FK1-IND - with 1 fuse holder	TBD	TBD	TBD
FK2-IND - with 2 fuse holder	TBD	TBD	TBD

* only when mounting receptacle A3 is used
** other lengths could be supplied on request