



VICAR, ITALY



HUELVA, SPAIN

Application

Sports lighting and extensive areas such as stadiums, recreational areas, airport aprons, racecourses, open-air car parks, etc. High-roofed large premises such as sports and exhibition halls.

Technical specification

Built-in housing for the starter and remote assembly for the rest of the control gear. Different optics available with internal glare control louvres. Luminaire, ballast and lamp are supplied and tested by GE, ensuring the best possible product quality.

Structure and material

Housing, rear door, and glass lens holder in die-cast aluminium with a RAL 7035 grey polyester powder paint finish, following anti-corrosion priming, oven cured at 180°C. Door in the rear of the housing offering access to the lamp with electrical disconnection on opening. External screws in stainless steel.

Electrical and gear compartment

Box for housing the standard ignitor and terminal block, manufactured in fibreglass reinforced polyamide, is attached to the rear of the floodlight and has PC13.5 cable glands. The reactor and condensers as necessary, or the instant hot restrike system are remotely mounted. The auxiliary control gear can be supplied mounted in a water proof box, on a tray or separate for mounting in a cabinet. Suitable for 1000 and 2000W double-ended Metal Halide (MH) lamps, as well as for 1000W HPS and MH lamps with E40 cap.

Optics

Enclosed optical assembly sealed providing IP65, comprising:

- Front tempered glass lens in a cast aluminium frame, with a silicone gasket between the frame and the housing.
- 6 aluminium reflectors with different photometric distributions, giving a rectangular beam in lamps with E40 holder and an oval beam in double-ended lamps.
- Internal aluminium louvre in the reflectors for glare control and reduction of sky-glow.

Maintenance

Lamp replacement without disturbing the floodlight's aiming position.

Installation

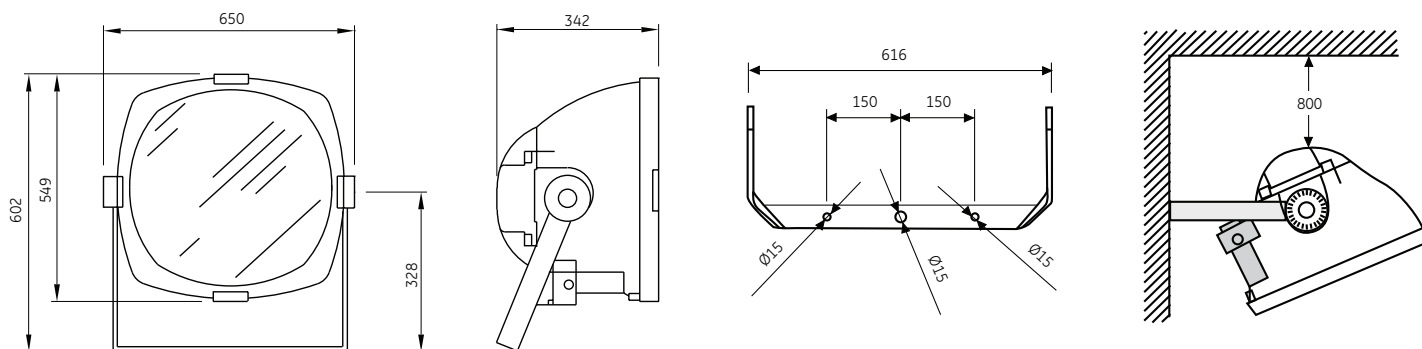
Mounting via a steel bracket, painted the same as the housing, with aiming degree indicator.

The standard version of this floodlight should not be installed at more than 140° from the vertical. For greater inclinations please contact us.

Accessories/options

Hot re-strike system (HRR) allows instant re-lighting (hot strike). To facilitate an easier lamp relighting it is recommended to use the Nikrome ignitor wire for double-ended lamps.

Dimensions (mm)



EF2000 – Gear box

CEI 34.21 / EN 60598-1, IEC 60598 – 50Hz – Class I – IP65 – IK08
Luminaire supplied without lamp

Description	Weight (kg)	Product code
CSAM1000 HPF 230V No Ignitor	12.8	92722
CSA CSAM2000 LPF 10,3A 400V No Ignitor	17	92721
C/E MH1000 9,5 A IP 65 No Ignitor HRR	12.8	524001
C/E MH2000 400V 10,3 A IP65 No Ignitor HR	17	92727
C/E HPS1000 10,3A IP65 No Ignitor	12.8	523999

EF2000 – Floodlight

CEI 34.21 / EN 60598-1, IEC 60598 – 50Hz – Class I – IP65 – IK08
Luminaire supplied without lamp

Description	Weight (kg)	Product code
Optics: ultraspot		
EF2 US 1000 LL DOUBLE ENDED S/LAMP	16	519568
EF2 US 2000 DOUBLE ENDED S/LAMP	16	78146
EF2 US 1000HRR DOUBLE ENDED S/LAMP	16	523880
EF2 US 2000HR DOUBLE ENDED S/LAMP	16	78150
Optics: spot		
EF2 S 1000 LL DOUBLE ENDED S/LAMP	16	523877
EF2 S 2000 DOUBLE ENDED S/LAMP	16	78147
EF2 1000HRR DOUBLE ENDED S/LAMP	16	523881
EF2 S 2000HR DOUBLE ENDED S/LAMP	16	78151
Optics: medium sport		
EF2 MS 1000 LL DOUBLE ENDED	16	523878
EF2 MS 2000 DOUBLE ENDED S/LAMP	16	523879
EF2 MS 1000HRR DOUBLE ENDED S/LAMP	16	523882
EF2 MS 2000HR DOUBLE ENDED S/LAMP	16	513060
Optics: medium		
EF2 M 1000 LL DOUBLE ENDED	16	519569
EF2 M 2000 DOUBLE ENDED S/LAMP	16	78155
EF2 M 1000HRR DOUBLE ENDED S/LAMP	16	523883
EF2 M 2000HRR DOUBLE ENDED S/LAMP	16	78152
EF-2000 MH1000 E40 MEDIUM 230V 50Hz	16	513063
EF-2000 HPS 1000W E40 MEDIUM 230V 50Hz	16	513064
Optics: medium wide		
EF2 MW 1000 LL DOUBLE ENDED	16	519570
EF2 MW 2000 DOUBLE ENDED S/LAMP	16	78148
EF2 MW 1000HRR DOUBLE ENDED S/LAMP	16	523884
EF2 MW 2000HR DOUBLE ENDED S/LAMP	16	78153
Optics: wide		
EF2 W 1000 LL DOUBLE ENDED	16	519571
EF2 W 2000 DOUBLE ENDED S/LAMP	16	78149
EF2 W 1000HRR DOUBLE ENDED S/LAMP	16	523882
EF2 W 2000HR DOUBLE ENDED S/LAMP	16	78154
EF-2000 MH1000 E40 WIDE 230V 50Hz	16	513065
EF-2000 HPS 1000W E40 WIDE 230V 50Hz	16	513066

HR – with hot restrike system and double-ended lamps

Photometric data

EF2-MED/HR/MH2000
POS. PORTA. FIJA

